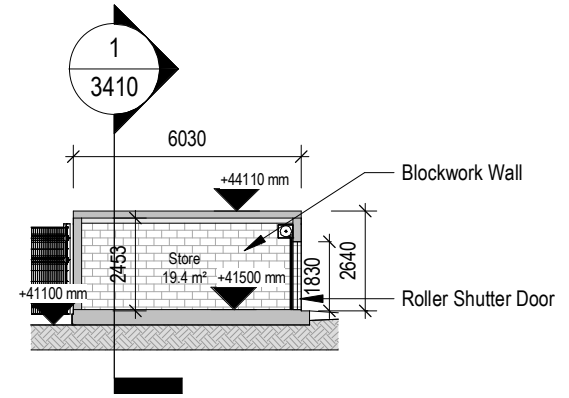
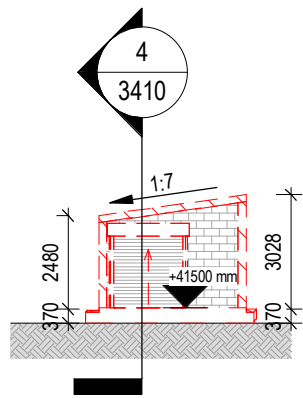


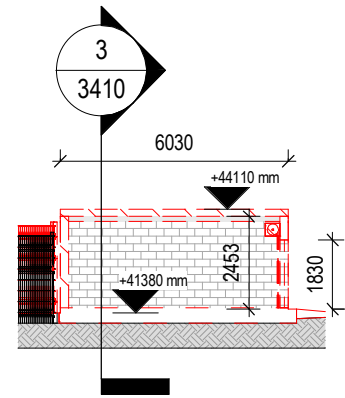
1 Shed 4 Existing Section AA
3410 Scale: 1 : 200



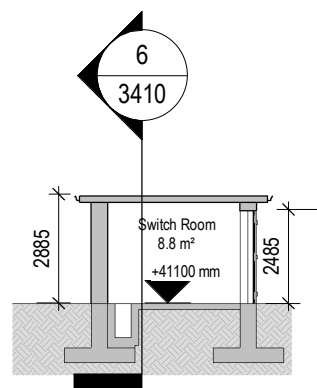
2 Shed 4 Existing Section BB
3410 Scale: 1 : 200



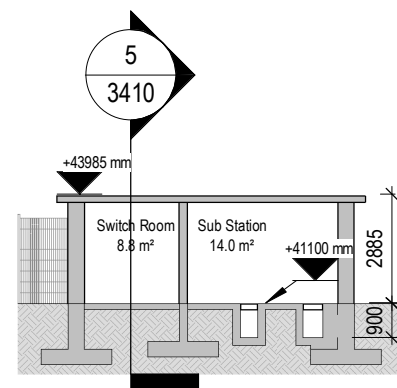
3 Shed 4 Demolition Section AA
3410 Scale: 1 : 200



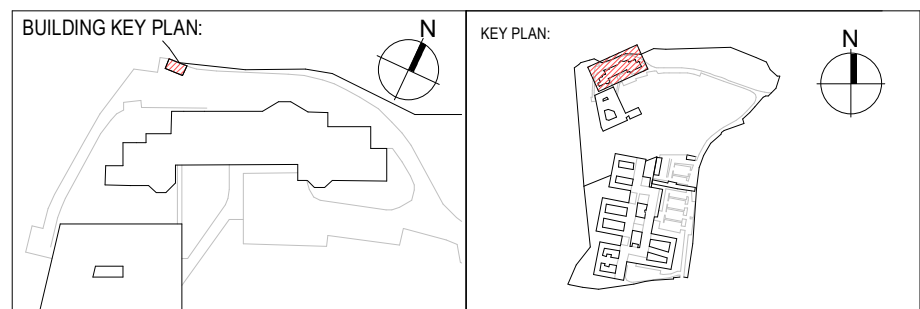
4 Shed 4 Demolition Section BB
3410 Scale: 1 : 200



5 Substation Proposed Section AA
3410 Scale: 1 : 200



6 Substation Proposed Section BB
3410 Scale: 1 : 200



COPYRIGHT:
The design and details shown on this drawing are applicable to The Named Project only and may not be reproduced, modified or relayed in whole or part or be used for any other project or purpose without the prior written permission of TOT Architects with whom copyright resides.

DO NOT SCALE this drawing. Use figured dimensions only. The Contractor is responsible for checking all levels and dimensions on site prior to commencement of works. Any discrepancies are to be referred to the ARCHITECT.

Drawings to be read in conjunction with all other Consultants Drawings & Specifications were relevant. Proprietary items shall be fixed in strict accordance with the Manufacturer's Instructions. Sizes of proprietary items shall be checked with Manufacturer.

REVISIONS:		
DATE	REV	DESCRIPTION
17/04/26	0	ISSUED FOR PLANNING

TOT ARCHITECTS

REGISTERED OFFICE
49 Upper Mount Street
Dublin 2, D02 FR85, Ireland

T +553 1705 7800
W www.totarch.ie
E info@totarch.ie

CLIENT:	SPUH			DRAWN:	JME	CHECKED:	LC	APPROVED:	DS	DATE:	17/04/2026
PROJECT:	St Edmundsbury Hospital Lucan			JOB NUMBER:	20-77	SHEET SIZE:	A3 P	SCALE:	1 : 200		
PROJECT STAGE :	PLANNING			INFORMATION CONTAINER IDENTIFICATION: SPMHS - HB - ZZZ - DR - TOT - AR - 3410							
DRAWING TITLE:	Existing/ Proposed Substation Sections			ACCEPTANCE CODE:	S	PURPOSE CODE:	P3	REVISION:	0		